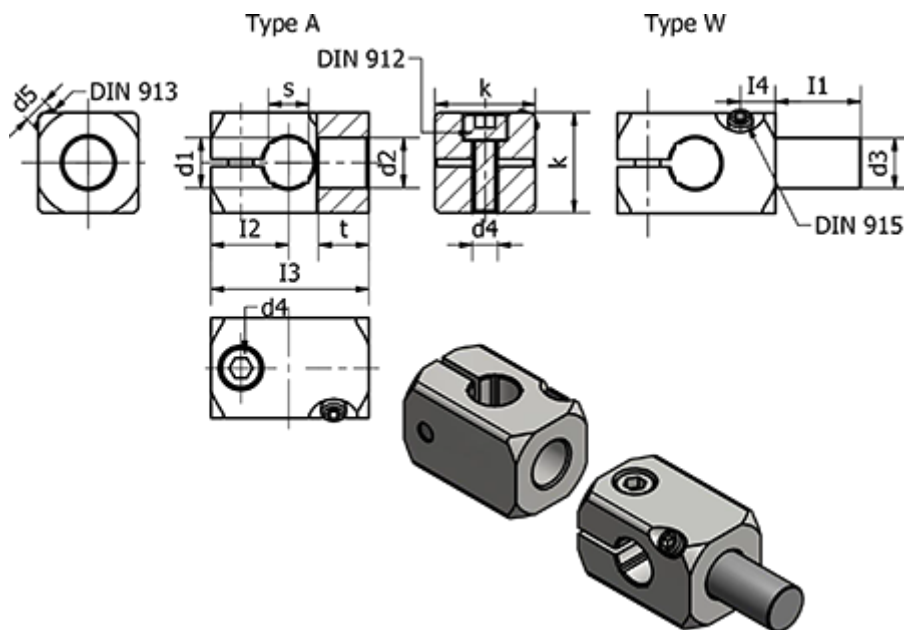


Article number: 20476B15B15AMT

Description: E+G T-clamp mounting - GN 476-B15-B15-A-MT

Measures



Clamping kit for d4 = GN 511-M6-25	l3	= 43.5	
d1	= 15	l4	= 10
d2	= 15	k	= 25
d3	=	s	= 12
d4	= M6	t	= 15
d5	= M6	Weight (g)	= 54
l1	= 21		
l2	= 20		